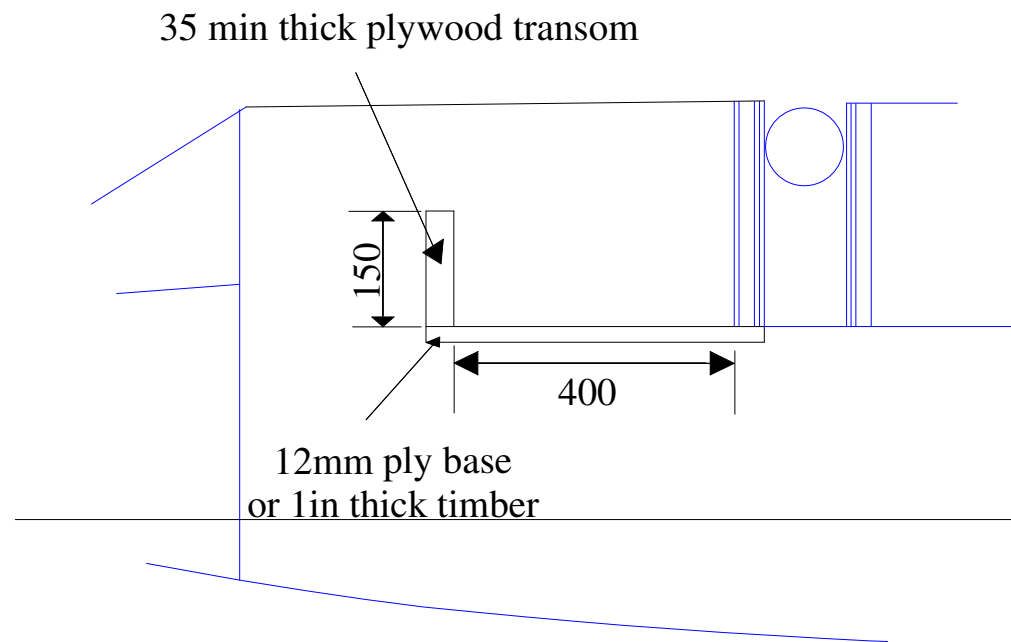
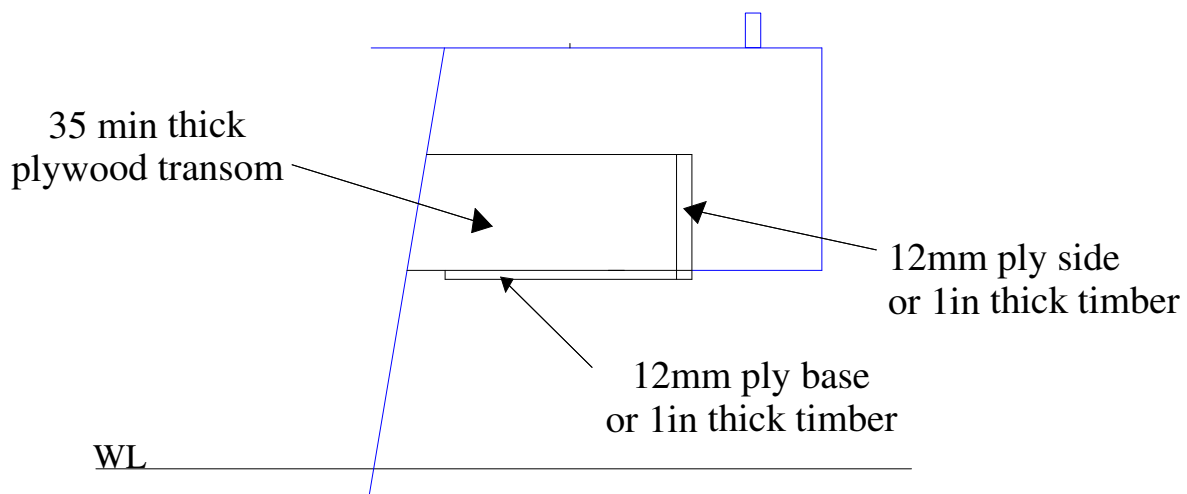


**Top View**



**Side View**



**End View looking aft**

Fit outboard bracket on port side if right handed  
 2.5hp outboard recommended  
 Lines in blue show parts of boat already made  
 Dimensions and details approx  
 Make to suit own engine  
 Add timber framing as required

**Strike 18**  
 27 outboard nacelle  
 Copyright WOODS DESIGNS  
 Jan 2008